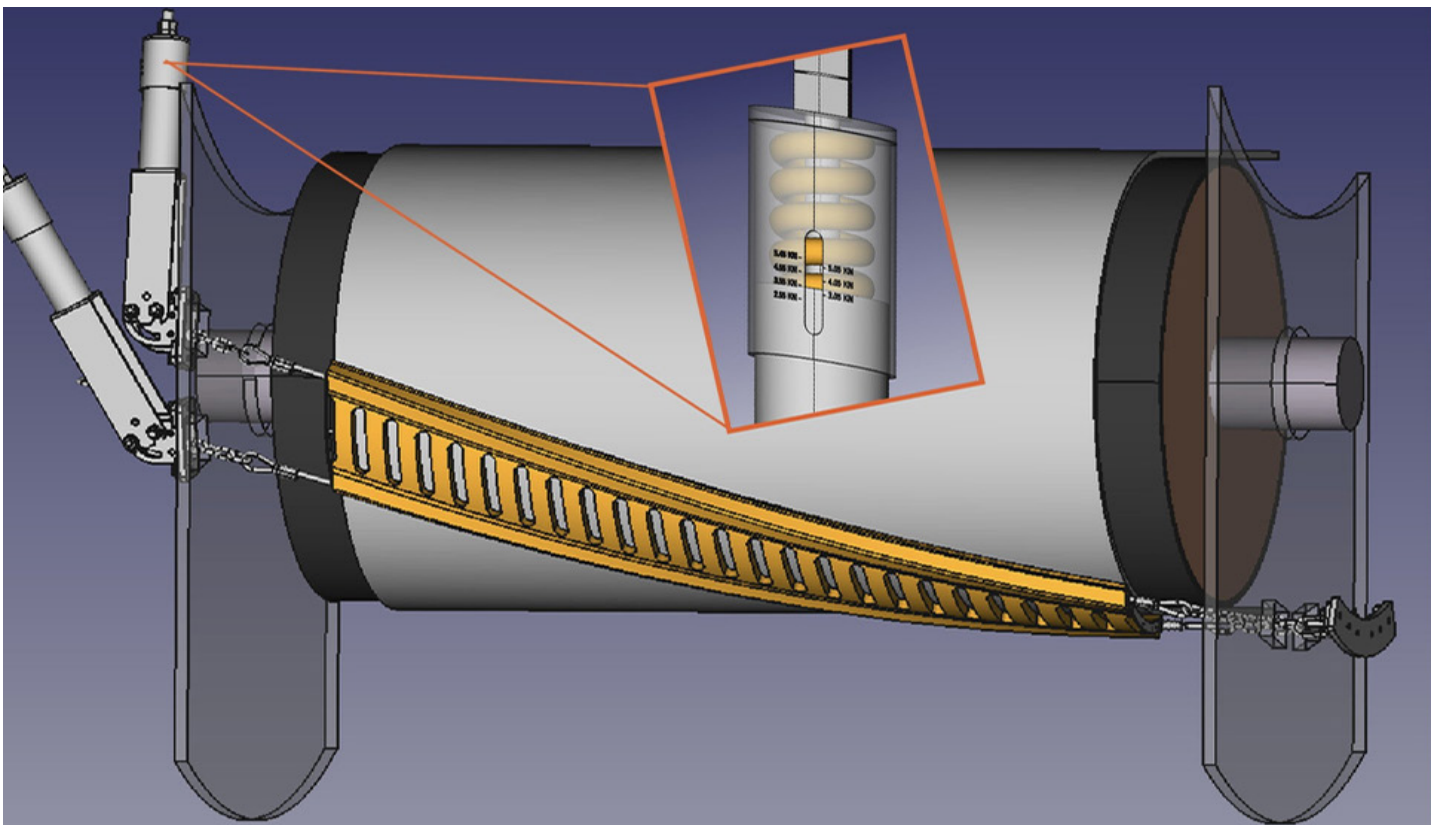


The New Belt Cleaning Technology



With its distinctive 3D helix design is diagonally fitted to the discharge drum, and therefore always in touch with the conveyor belt independently of the belt contours.

The Cleanscrape requires very little tension, giving the CleanScrape its superior cleaning effect and allows it to be used on mechanical fasteners without having to continuously adjust its tips

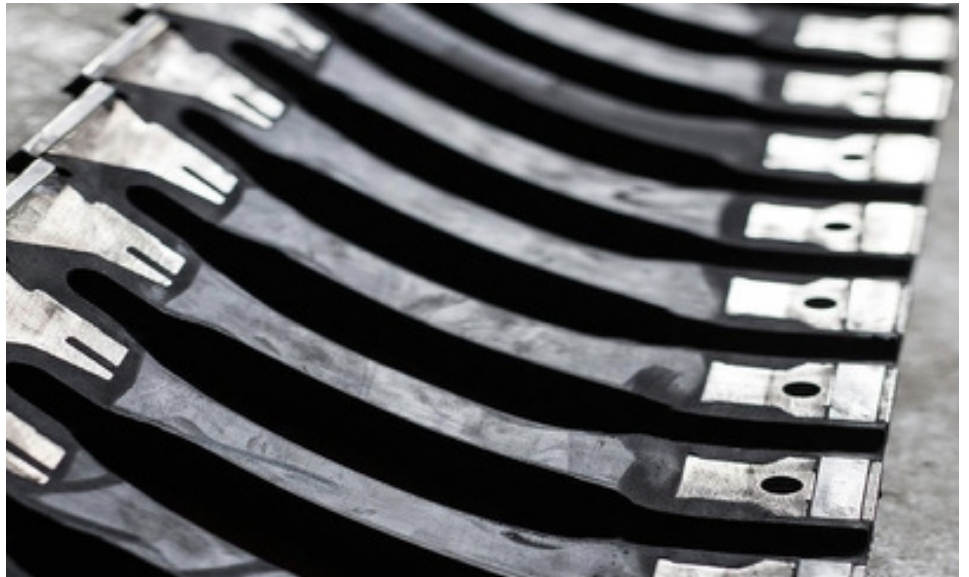
The flexible blade comprises of two rows of tungsten carbide tips moulded in a scalloped FRAS rubber segment.

The top row of overlapping tips provides the scraping capacity and is interconnected through sets of steel spring componentry to the bottom supporting row of tips.

Tensioning System

Held in-place on the conveyor belt through two tensioned stainless steel cables running internally across the blade while pressing the tips firmly on the belt.

The cables are connected to a robust spring tensioning system located on either side of the conveyor chute providing a consistent tension on all tips of the blade. As the blade diagonally follows the running direction of the belt, the tension required to obtain an excellent cleaning effect is much less than conventional belt cleaners



Applications



CleanScrape primary can be used on a wide range of applications i.e. Rubber or PVC, low or high speed, smooth or coarsely worn belts, caring dry, wet, fine, coarse, adverse chemicals and abrasive materials.

CleanScrape is proven to be extremely successful in industries like Coal, Iron Ore, Bauxite, Hard rock, Wood, Salt, Lime, Gold, Clay, etc.

CleanScrape comes in 3 blade sizes and 5 types of tungsten carbide tips to suit various applications.

BLADE SIZE	PULLEY DIAM. (MM)	UP TO BELT WIDTH (MM)
Standard Blade (CSP-S)	270 - 550	1350*
Medium Blade (CSP-M)	550 - 900	2400*
Large Blade (CSP-L)	900 -1250	3750*

* Belt widths up to ratio of 3:1 to the drum diameter with a minimum blade angle of 10 degrees

Tungsten Type

TU01 - Suitable for all less abrasive materials and low belt speeds and suitable on mechanical belt fasteners.

TU02 - Suitable for moderate abrasive materials and medium belt speeds and also suitable for mechanical belt fasteners.

TU03 - Suitable for highly abrasive materials and high speed belts, not recommended on mechanical fasteners.

TU04 - Suitable for extremely abrasive materials and high speed belts, not recommended on mechanical fasteners.

TU05 - Suitable for adverse chemical applications.

Features & Benefits

- Prolongs blade, belt and conveyor life.
- Reduces product loss, maintenance and down time cost.
- Lowest “true-life” cost systems on the market.

FEATURES	BENEFITS
Flexible Rubber Lightweight System	<ul style="list-style-type: none"> • Absorbs shock loading, suitable for mechanical fasteners and badly conditioned belts • Easy to handle, install and replace • No pole and therefor no danger to harm belt • Suitable for underground applications (FRAS approved) • Chemical resistant
Helix Design	<ul style="list-style-type: none"> • Constant “blade-belt” contact with no gaps and no spillage • Diagonal cleaning is the most constant effective cleaning method (85-95% or more carry-back material removal) • Suitable for slow and fast running belts (up to 8/s) • Minimal space required (40 mm) • Suitable for reverse running belts
Tungsten Cabide Tips	<ul style="list-style-type: none"> • Long and hard wearing system • Narrow tungsten tips ensure continuous belt contact
Low Spring Tensioning System	<ul style="list-style-type: none"> • Easy on belts, splices and tips • Provides continuous consistent tension with no need for regular adjustment/maintainance • Robust and reliable



Management
Systems
ISO 9001:2008

www.tuv.com
ID 1100000594

Address: C3, 20 Tarlton Cres, Perth Airport WA 6105

Postal Address: PO Box 602, North Perth, WA 6906

Phone Number: 1300 70 70 67

Email: sales@lorbrand.com.au

Web: lorbrand.com.au